

Measuring *Manual*

- Enhance Accuracy • Boost Productivity
- Maximize Cutting Efficiency • Improve Safety
- Decrease Set-Up Time • Eliminate Waste

We specialize in high-precision length measuring gauges and turnkey automation solutions for the steel and aluminum industries. Take your operations to a whole new level by adding an automated measuring system to your current machine.

Manual to fully automatic systems available. Talk to our specialists to find the best solution for your needs.



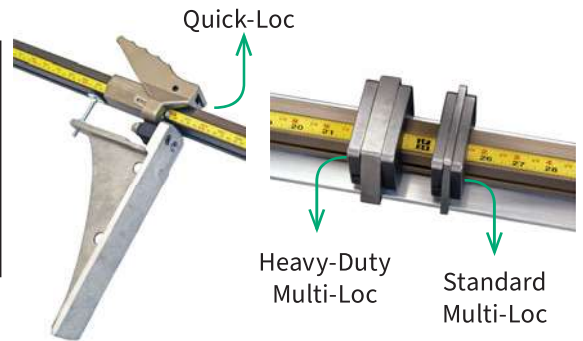
Scotchman Measuring Devices

Manual Length Positioner	43
Digital Length Positioner.....	44
Semi-Automatic Stop/Pusher System	45
Fully Automatic Material Feed System.....	46
Quality Control Caliper Table	42

Manual Length Positioners

Replace your tape measure with one of our Patented Loc-Stop Systems to increase accuracy and reduce set-up times. The teeth on the rail (1/16" increments) align together with the teeth on the stainless-steel stops to give you the exact measurement you set and are guaranteed not to slip.

Available in left-hand and right-hand models and adaptable to almost ANY type of machinery.



Quick-Loc Stop System (AMS)

Simply squeeze the handle on the Quick-Loc System, slide it into position, and release it. Your measurement is set and will not slip.



10" Extension
Available for Quick-Loc.



Vertical Stop Block
Available for Multi-Loc.

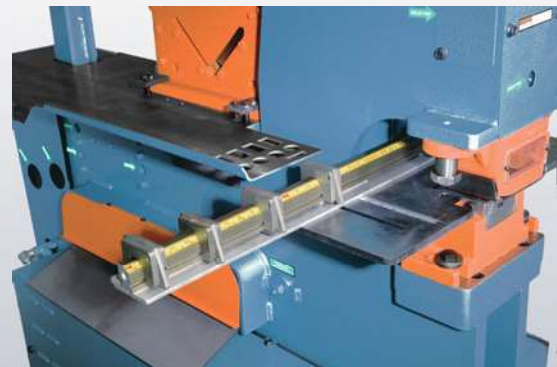


Roller Conveyor
Available for Quick-Loc & Multi-Loc.
5' & 10' Increments;
up to 25 foot lengths.

Multi-Loc Stop System (AMS)

This system makes setting your production runs faster. Simply press down the stainless-steel stops at various lengths along the rail so you're not changing the set-up each time. Multiple stops can be placed on the rail as close to 1" apart using the Standard Stops, and 1-1/2" apart using the Heavy Duty stops.

Three stops come standard with each Multi-Loc Stop System.



Multi-Loc Stop System shown on a Scotchman Ironworker.

MEASURING DEVICES

OPTIONAL