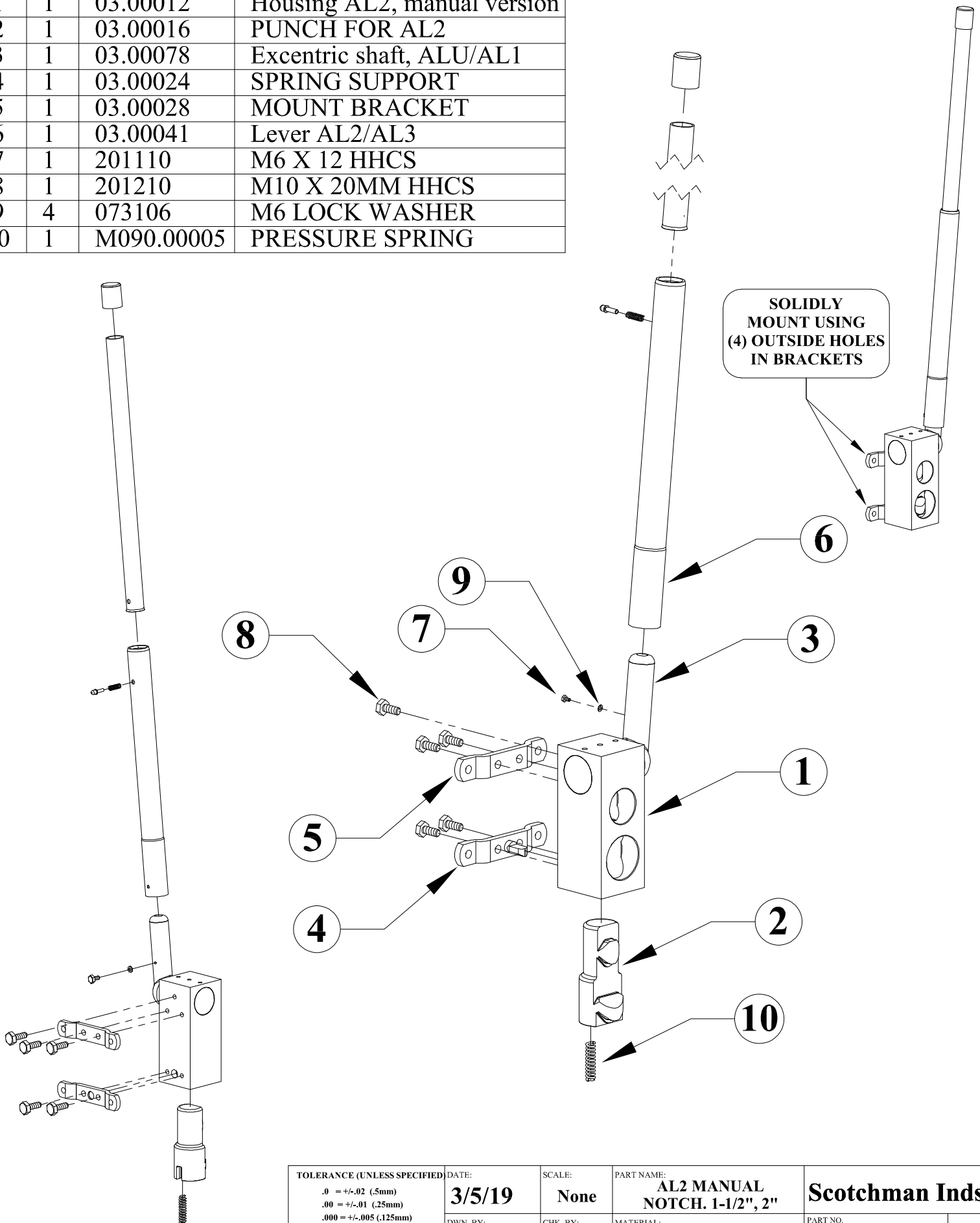


A030.00002 - AL2 MANUAL NOTCHER - 1-1/2in. & 2in.

1	1	03.00012	Housing AL2, manual version
2	1	03.00016	PUNCH FOR AL2
3	1	03.00078	Excentric shaft, ALU/AL1
4	1	03.00024	SPRING SUPPORT
5	1	03.00028	MOUNT BRACKET
6	1	03.00041	Lever AL2/AL3
7	1	201110	M6 X 12 HHCS
8	1	201210	M10 X 20MM HHCS
9	4	073106	M6 LOCK WASHER
10	1	M090.00005	PRESSURE SPRING



TOLERANCE (UNLESS SPECIFIED) .0 = +/- .02 (.5mm) .00 = +/- .01 (.25mm) .000 = +/- .005 (.125mm) Fractions = +/- 1/32 (.7mm) Angles = +/- 1°	DATE:	SCALE:	PART NAME:	Scotchman Inds. PART NO. A030.00002
	3/5/19 DWN. BY: Jason S.	None CHK. BY:	AL2 MANUAL NOTCH. 1-1/2", 2" MATERIAL: Per Part	