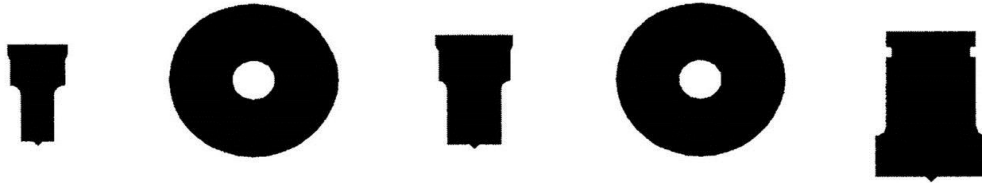


Scotchman[®]

Metal Fabricating Solutions



PRICES FOR #40 PUNCHES & #82 DIES

JANUARY 1, 2023 PRICE LIST

FIRST EDITION

RETAIL PRICES ARE SUBJECT TO CHANGE WITHOUT NOTICE.

All Prices Are F.O.B. Philip, South Dakota.

Minimum Order \$25.00 (Net).

**#40, #45, #49 & SPLIT RING PUNCHES &
#82, #86, 3 INCH & 6 X 6 DIES FOR MODELS:**

**5075, 6012, 6509, 7012, 7575, 9012, 9075, 12012, 2450,
FI 5009, FI 5109, FI 6008, FI 8507, FI 8510,
DO 70, DO 8514, DO 95, DO 100, DO 120, DO 135 & DO 150**

**SCOTCHMAN INDUSTRIES, INC.
180 E US HWY 14 ~ PO BOX 850
PHILIP, SOUTH DAKOTA 57567 U.S.A.**

PHONE: (800) 843-8844 or (605) 859-2542

FAX: (800) 843-5545 or (605) 859-2499

Website: www.scotchman.com

E-Mail: info@scotchman.com

SCOTCHMAN INDUSTRIES #40 PUNCHES & #82 DIES

JANUARY 1, 2023 PRICE LIST

FIRST EDITION

*RETAIL PRICES ARE SUBJECT TO CHANGE WITHOUT NOTICE!

**** ALL PUNCHES & DIES ARE 1/32" CLEARANCE UNLESS NOTED OTHERWISE ****

#40 PUNCH & #82 DIE PACKAGES (ABSOLUTELY NO SUBSTITUTIONS!)

PART #002543	
ROUND PUNCH & DIE PACKAGE-12 SETS (16th Sizes)	
SIZES (INCH)	LIST PRICE
5/16, 3/8, 7/16, 1/2, 9/16, 5/8, 11/16, 3/4, 13/16, 7/8, 15/16, 1	\$484.00
TOTAL INDIVIDUAL PRICE =	\$484.00
PACKAGE PRICE =	\$350.00
YOUR SAVINGS =	\$134.00

PART #002545	
ROUND PUNCH & DIE PACKAGE-12 SETS (32nd Sizes)	
SIZES (INCH)	LIST PRICE
11/32, 15/32, 17/32, 19/32, 21/32, 23/32, 25/32, 27/32, 29/32, 31/32, 1-1/32, 1-3/16	\$492.00
TOTAL INDIVIDUAL PRICE =	\$492.00
PACKAGE PRICE =	\$350.00
YOUR SAVINGS =	\$142.00

PART #002544	
ROUND PUNCH & DIE PACKAGE-12 SETS (Metric Sizes)	
SIZES (MILLIMETER)	LIST PRICE
8, 10, 12, 14, 16, 18, 20, 22, 24, 28, 30, 32	\$492.00
TOTAL INDIVIDUAL PRICE =	\$492.00
PACKAGE PRICE =	\$350.00
YOUR SAVINGS =	\$142.00

PART #002855		
DELUXE PUNCH & DIE PACKAGE		
SHAPE	SIZES	LIST PRICE
ROUND PUNCH & DIE:	1/4	\$40.00
	9/32	\$40.00
	5/16	\$40.00
	3/8	\$40.00
	13/32	\$40.00
	7/16	\$40.00
	1/2	\$40.00
	9/16	\$40.00
	5/8	\$40.00
	11/16	\$40.00
	3/4	\$40.00
	13/16	\$40.00
	7/8	\$40.00
	15/16	\$40.00
	1	\$44.00
	1-1/16	\$44.00
1-1/8	\$44.00	
1-3/16	\$44.00	
1-1/4	\$44.00	
SQUARE PUNCH & DIE:	1/2	\$132.00
	3/4	\$147.00
	7/8	\$147.00
OVAL PUNCH & DIE:	9/32 x 3/4	\$88.00
	5/16 x 3/4	\$88.00
	9/32 x 1	\$88.00
	5/16 x 1	\$88.00
	13/32 x 1	\$88.00
	7/16 x 1	\$88.00
	17/32 x 1	\$88.00
	9/16 x 1	\$88.00
	9/16 x 1-1/4	\$94.00
	11/16 x 1-1/4	\$94.00
13/16 x 1-1/4	\$94.00	
TOTAL INDIVIDUAL PRICE =		\$2,192.00
PACKAGE PRICE =		\$1,150.00
YOUR SAVINGS =		\$1,042.00

SCOTCHMAN INDUSTRIES #40 PUNCHES & #82 DIES

JANUARY 1, 2023 PRICE LIST

FIRST EDITION

*RETAIL PRICES ARE SUBJECT TO CHANGE WITHOUT NOTICE!

#40 ROUND PUNCHES & # 82 DIES - STOCKING SIZES

PUNCH SIZE	PART #	RETAIL PRICE*
------------	--------	---------------

1/8	018000	\$18.00
5/32	018002	\$18.00
3/16	018004	\$18.00
13/64	018205	\$18.00
7/32	018006	\$18.00
1/4	018008	\$18.00
17/64	018207	\$18.00
9/32	018010	\$18.00
5/16	018012	\$18.00
11/32	018014	\$18.00
3/8	018016	\$18.00
13/32	018018	\$18.00
7/16	018020	\$18.00
15/32	018022	\$18.00
1/2	018024	\$18.00
17/32	018026	\$18.00
9/16	018028	\$18.00
19/32	018030	\$18.00
5/8	018032	\$18.00
21/32	018034	\$18.00
11/16	018037	\$18.00
23/32	018039	\$18.00
3/4	018041	\$18.00
25/32	018120	\$18.00
13/16	018043	\$18.00
27/32	018045	\$18.00
7/8	018047	\$18.00
29/32	018049	\$18.00
15/16	018051	\$18.00
31/32	018053	\$18.00
1	018055	\$18.00
1-1/32	018057	\$18.00
1-1/16	018059	\$18.00
1-3/32	018061	\$18.00
1-1/8	018063	\$18.00
1-5/32	018065	\$18.00
1-3/16	018068	\$18.00
1-7/32	018070	\$18.00
1-1/4	018072	\$18.00

DIE SIZE	PART #	RETAIL PRICE*
----------	--------	---------------

5/32	018003	\$22.00
3/16	018005	\$22.00
7/32	018007	\$22.00
15/64	018206	\$22.00
1/4	018009	\$22.00
9/32	018011	\$22.00
19/64	018208	\$22.00
5/16	018013	\$22.00
11/32	018015	\$22.00
3/8	018017	\$22.00
13/32	018019	\$22.00
7/16	018021	\$22.00
15/32	018023	\$22.00
1/2	018025	\$22.00
17/32	018027	\$22.00
9/16	018029	\$22.00
19/32	018031	\$22.00
5/8	018033	\$22.00
21/32	018036	\$22.00
11/16	018038	\$22.00
23/32	018040	\$22.00
3/4	018042	\$22.00
25/32	018121	\$22.00
13/16	018044	\$22.00
27/32	018046	\$22.00
7/8	018048	\$22.00
29/32	018050	\$22.00
15/16	018052	\$22.00
31/32	018054	\$22.00
1	018056	\$26.00
1-1/32	018058	\$26.00
1-1/16	018060	\$26.00
1-3/32	018062	\$26.00
1-1/8	018064	\$26.00
1-5/32	018067	\$26.00
1-3/16	018069	\$26.00
1-7/32	018071	\$26.00
1-1/4	018073	\$26.00
1-9/32	018075	\$26.00

SCOTCHMAN INDUSTRIES #40 PUNCHES & #82 DIES

JANUARY 1, 2023 PRICE LIST

FIRST EDITION

*RETAIL PRICES ARE SUBJECT TO CHANGE WITHOUT NOTICE!

#40 ROUND PUNCHES & # 82 DIES - STOCKING SIZES

**** PLEASE NOTE: FOR MATERIAL 3/4" & THICKER W/1/16" CLEARANCE ****

PUNCH SIZE	PART #	RETAIL PRICE*	DIE SIZE	PART #	RETAIL PRICE*
3/4	018041	\$18.00	13/16	018044	\$22.00
25/32	018120	\$18.00	27/32	018046	\$22.00
13/16	018043	\$18.00	7/8	018048	\$22.00
27/32	018045	\$18.00	29/32	018050	\$22.00
7/8	018047	\$18.00	15/16	018052	\$22.00
29/32	018049	\$18.00	31/32	018054	\$22.00
15/16	018051	\$18.00	1	018056	\$26.00
31/32	018053	\$18.00	1-1/32	018058	\$26.00
1	018055	\$18.00	1-1/16	018060	\$26.00
1-1/32	018057	\$18.00	1-3/32	018062	\$26.00
1-1/16	018059	\$18.00	1-1/8	018064	\$26.00
1-3/32	018061	\$18.00	1-5/32	018067	\$26.00
1-1/8	018063	\$18.00	1-3/16	018069	\$26.00
1-5/32	018065	\$18.00	1-7/32	018071	\$26.00
1-3/16	018068	\$18.00	1-1/4	018073	\$26.00
1-7/32	018070	\$18.00	1-9/32	018075	\$26.00
1-1/4	018072	\$18.00	1-5/16**	018077	\$80.00

** #86 DIE - REQUIRES 2-1/2" O.D. DIE HOLDER INSERT

#45 ROUND PUNCHES & # 86 DIES - STOCKING SIZES

**** PLEASE NOTE: FOR MATERIAL 3/4" & THICKER W/1/16" CLEARANCE ****

1-9/32	018074	\$60.00	1-11/32	018152	\$80.00
1-5/16	018076	\$60.00	1-3/8	018080	\$80.00
1-11/32	018151	\$60.00	1-13/32	018157	\$80.00
1-3/8	018078	\$60.00	1-7/16	018083	\$80.00
1-13/32	018153	\$60.00	1-15/32	018155	\$80.00
1-7/16	018081	\$60.00	1-1/2	018085	\$80.00
1-15/32	018154	\$60.00	1-17/32	018158	\$80.00
1-1/2	018084	\$60.00	1-9/16	018087	\$80.00
1-17/32	018163	\$60.00	1-19/32	018161	\$80.00
1-9/16	018086	\$60.00	1-5/8	018088	\$80.00

SCOTCHMAN INDUSTRIES #40 PUNCHES & #82 DIES

JANUARY 1, 2023 PRICE LIST

FIRST EDITION

*RETAIL PRICES ARE SUBJECT TO CHANGE WITHOUT NOTICE!

#45 ROUND PUNCHES & #86 DIES - STOCKING SIZES

PUNCH SIZE	PART #	RETAIL PRICE*
1-9/32	018074	\$60.00
1-5/16	018076	\$60.00
1-11/32	018151	\$60.00
1-3/8	018078	\$60.00
1-13/32	018153	\$60.00
1-7/16	018081	\$60.00
1-15/32	018154	\$60.00
1-1/2	018084	\$60.00
1-17/32	018163	\$60.00
1-9/16	018086	\$60.00

DIE SIZE	PART #	RETAIL PRICE*
1-5/16	018077	\$80.00
1-11/32	018152	\$80.00
1-3/8	018080	\$80.00
1-13/32	018157	\$80.00
1-7/16	018083	\$80.00
1-15/32	018155	\$80.00
1-1/2	018085	\$80.00
1-17/32	018158	\$80.00
1-9/16	018087	\$80.00
1-19/32	018161	\$80.00

#49 ROUND PUNCHES & DIES - STOCKING SIZES

(ONLY FOR MODELS 12012-24M, DO 120/200M, DO 135/220M, & DO 150/240M)

1-5/8	018400	\$128.00
1-11/16	018405	\$128.00
1-3/4	018410	\$128.00
1-13/16	018415	\$128.00
1-7/8	018420	\$128.00
1-15/16	018423	\$128.00
2	018425	\$128.00

1-21/32 (3" OD Die)	018311	\$132.00
1-23/32 (3" OD Die)	018316	\$132.00
1-25/32 (3" OD Die)	018321	\$132.00
1-27/32 (3" OD Die)	018326	\$132.00
1-29/32 (3" OD Die)	018327	\$132.00
1-31/32 (3" OD Die)	018328	\$132.00
2-1/32 (6 X 6 Die)	018331	\$285.00

SPLIT RING ROUND PUNCHES & 3" & 6 X 6 ROUND DIES - STOCKING SIZES

1-5/8	018310	\$130.00
1-3/4	018320	\$130.00
2	018330	\$130.00
2-1/4	018340	\$180.00
2-1/2	018350	\$180.00
2-3/4	018354	\$230.00
3	018360	\$230.00

1-21/32 (3" OD Die)	018311	\$132.00
1-25/32 (3" OD Die)	018321	\$132.00
2-1/32 (6 X 6 Die)	018331	\$285.00
2-9/32 (6 X 6 Die)	018341	\$285.00
2-17/32 (6 X 6 Die)	018351	\$285.00
2-25/32 (6 X 6 Die)	018355	\$285.00
3-1/32 (6 X 6 Die)	018361	\$285.00

#82 ROUND OFFSET DIES - STOCKING SIZES

DIE SIZE	PART #	RETAIL PRICE*
9/32	023004	\$28.00
5/16	023005	\$28.00
11/32	023006	\$28.00
3/8	023007	\$28.00
13/32	023008	\$28.00
7/16	023009	\$28.00
15/32	023010	\$28.00
1/2	023011	\$28.00
17/32	023012	\$28.00
9/16	023013	\$28.00
19/32	023014	\$28.00

DIE SIZE	PART #	RETAIL PRICE*
5/8	023015	\$28.00
21/32	023016	\$28.00
11/16	023017	\$28.00
23/32	023018	\$28.00
3/4	023019	\$28.00
25/32	023020	\$28.00
13/16	023021	\$28.00
27/32	023022	\$28.00
7/8	023023	\$28.00
29/32	023024	\$28.00

SCOTCHMAN INDUSTRIES #40 PUNCHES & #82 DIES

JANUARY 1, 2023 PRICE LIST

FIRST EDITION

**RETAIL PRICES ARE SUBJECT TO CHANGE WITHOUT NOTICE!*

#40 ROUND METRIC PUNCHES AND #82 ROUND DIES - STOCKING SIZES

PUNCH SIZE	PART #	RETAIL PRICE*
------------	--------	---------------

DIE SIZE	PART #	RETAIL PRICE*
----------	--------	---------------

5mm	021406	\$18.00
6mm	021410	\$18.00
7mm	021414	\$18.00
8mm	021418	\$18.00
9mm	021422	\$18.00
10mm	021426	\$18.00
11mm	021430	\$18.00
12mm	021434	\$18.00
13mm	021438	\$18.00
14mm	021442	\$18.00
15mm	021446	\$18.00
16mm	021450	\$18.00
17mm	021454	\$18.00
18mm	021458	\$18.00
19mm	021462	\$18.00
20mm	021466	\$18.00
21mm	021470	\$18.00
22mm	021474	\$18.00
23mm	021478	\$18.00
24mm	021482	\$18.00
25mm	021486	\$18.00
26mm	021490	\$18.00
27mm	021494	\$18.00
28mm	021498	\$18.00
29mm	021502	\$18.00
30mm	021506	\$18.00
31mm	021510	\$18.00
32mm	021514	\$18.00

5.8mm	021407	\$22.00
6.8mm	021411	\$22.00
7.8mm	021415	\$22.00
8.8mm	021419	\$22.00
9.8mm	021423	\$22.00
10.8mm	021427	\$22.00
11.8mm	021431	\$22.00
12.8mm	021435	\$22.00
13.8mm	021439	\$22.00
14.8mm	021443	\$22.00
15.8mm	021447	\$22.00
16.8mm	021451	\$22.00
17.8mm	021455	\$22.00
18.8mm	021459	\$22.00
19.8mm	021463	\$22.00
20.8mm	021467	\$22.00
21.8mm	021471	\$22.00
22.8mm	021475	\$22.00
23.8mm	021479	\$22.00
24.8mm	021483	\$22.00
25.8mm	021487	\$26.00
26.8mm	021491	\$26.00
27.8mm	021495	\$26.00
28.8mm	021499	\$26.00
29.8mm	021503	\$26.00
30.8mm	021507	\$26.00
31.8mm	021511	\$26.00
32.8mm	021515	\$26.00

SCOTCHMAN INDUSTRIES #40 PUNCHES & #82 DIES

JANUARY 1, 2023 PRICE LIST

FIRST EDITION

*RETAIL PRICES ARE SUBJECT TO CHANGE WITHOUT NOTICE!

**ALL SHAPED PUNCHES ARE KEYED STANDARD
FOR SAFE & POSITIVE PUNCH ALIGNMENT.**

#40 OVAL PUNCHES AND #82 DIES - STOCKING SIZES

PUNCH SIZE	PART #	RETAIL PRICE*	DIE SIZE	PART #	RETAIL PRICE*
9/32 x 3/4	020000	\$44.00	5/16 x 25/32	020001	\$44.00
5/16 x 3/4	020002	\$44.00	11/32 x 25/32	020003	\$44.00
11/32 x 3/4	020004	\$44.00	3/8 x 25/32	020005	\$44.00
3/8 x 3/4	020006	\$44.00	13/32 x 25/32	020007	\$44.00
13/32 x 3/4	020008	\$44.00	7/16 x 25/32	020009	\$44.00
7/16 x 3/4	020010	\$44.00	15/32 x 25/32	020011	\$44.00
15/32 x 3/4	020012	\$44.00	1/2 x 25/32	020013	\$44.00
1/2 x 3/4	020014	\$44.00	17/32 x 25/32	020015	\$44.00
17/32 x 3/4	020016	\$44.00	9/16 x 25/32	020017	\$44.00
9/16 x 3/4	020018	\$44.00	19/32 x 25/32	020019	\$44.00
19/32 x 3/4	020020	\$44.00	5/8 x 25/32	020021	\$44.00
5/8 x 3/4	020022	\$44.00	21/32 x 25/32	020023	\$44.00
1/4 x 1	020105	\$44.00	9/32 x 1-1/32	020106	\$44.00
9/32 x 1	020024	\$44.00	5/16 x 1-1/32	020025	\$44.00
5/16 x 1	020026	\$44.00	11/32 x 1-1/32	020027	\$44.00
11/32 x 1	020028	\$44.00	3/8 x 1-1/32	020029	\$44.00
3/8 x 1	020030	\$44.00	13/32 x 1-1/32	020031	\$44.00
13/32 x 1	020032	\$44.00	7/16 x 1-1/32	020033	\$44.00
7/16 x 1	020034	\$44.00	15/32 x 1-1/32	020035	\$44.00
15/32 x 1	020036	\$44.00	1/2 x 1-1/32	020037	\$44.00
1/2 x 1	020038	\$44.00	17/32 x 1-1/32	020039	\$44.00
17/32 x 1	020040	\$44.00	9/16 x 1-1/32	020041	\$44.00
9/16 x 1	020042	\$44.00	19/32 x 1-1/32	020043	\$44.00
19/32 x 1	020044	\$44.00	5/8 x 1-1/32	020045	\$44.00
5/8 x 1	020046	\$44.00	21/32 x 1-1/32	020047	\$44.00
21/32 x 1	020048	\$44.00	11/16 x 1-1/32	020049	\$44.00
11/16 x 1	020050	\$44.00	23/32 x 1-1/32	020051	\$44.00
23/32 x 1	020052	\$44.00	3/4 x 1-1/32	020053	\$44.00
3/4 x 1	020054	\$44.00	25/32 x 1-1/32	020055	\$44.00
25/32 x 1	020056	\$44.00	13/16 x 1-1/32	020057	\$44.00
13/16 x 1	020058	\$44.00	27/32 x 1-1/32	020059	\$44.00
7/8 x 1	020060	\$44.00	29/32 x 1-1/32	020061	\$44.00
15/16 x 1	020062	\$44.00	31/32 x 1-1/32	020063	\$44.00
9/32 x 1-1/4	020064	\$47.00	5/16 x 1-9/32	020065	\$47.00
5/16 x 1-1/4	020066	\$47.00	11/32 x 1-9/32	020067	\$47.00
11/32 x 1-1/4	020068	\$47.00	3/8 x 1-9/32	020069	\$47.00
3/8 x 1-1/4	020070	\$47.00	13/32 x 1-9/32	020071	\$47.00
13/32 x 1-1/4	020072	\$47.00	7/16 x 1-9/32	020073	\$47.00

SCOTCHMAN INDUSTRIES #40 PUNCHES & #82 DIES

JANUARY 1, 2023 PRICE LIST

FIRST EDITION

*RETAIL PRICES ARE SUBJECT TO CHANGE WITHOUT NOTICE!

**ALL SHAPED PUNCHES ARE KEYED STANDARD
FOR SAFE & POSITIVE PUNCH ALIGNMENT.**

#40 OVAL PUNCHES AND # 82 DIES - STOCKING SIZES (CONT'D)

PUNCH SIZE	PART #	RETAIL PRICE*
7/16 x 1-1/4	020074	\$47.00
15/32 x 1-1/4	020076	\$47.00
1/2 x 1-1/4	020078	\$47.00
17/32 x 1-1/4	020080	\$47.00
9/16 x 1-1/4	020082	\$47.00
19/32 x 1-1/4	020084	\$47.00
5/8 x 1-1/4	020086	\$47.00
21/32 x 1-1/4	020088	\$47.00
11/16 x 1-1/4	020090	\$47.00
23/32 x 1-1/4	020092	\$47.00
3/4 x 1-1/4	020094	\$47.00
25/32 x 1-1/4	020096	\$47.00
13/16 x 1-1/4	020098	\$47.00
7/ 8x 1-1/4	020100	\$47.00
15/16 x 1-1/4	020103	\$47.00

DIE SIZE	PART #	RETAIL PRICE*
15/32 x 1-9/32	020075	\$47.00
1/2 x 1-5/16	020113	\$47.00
1/2 x 1-9/32	020077	\$47.00
17/32 x 1-9/32	020079	\$47.00
9/16 x 1-9/32	020081	\$47.00
19/32 x 1-9/32	020083	\$47.00
5/8 x 1-5/16	020115	\$47.00
5/8 x 1-9/32	020085	\$47.00
21/32 x 1-9/32	020087	\$47.00
11/16 x 1-9/32	020089	\$47.00
23/32 x 1-9/32	020091	\$47.00
3/4 x 1-5/16	020117	\$47.00
3/4 x 1-9/32	020093	\$47.00
25/32 x 1-9/32	020095	\$47.00
13/16 x 1-9/32	020097	\$47.00
27/32 x 1-9/32	020099	\$47.00
7/8 x 1-5/16	020119	\$47.00
29/32 x 1-9/32	020102	\$47.00
31/32 x 1-9/32	020104	\$47.00
1 x 1-5/16	020121	\$47.00

#45 OVAL PUNCHES AND # 86 DIES - STOCKING SIZES

7/16 x 1-1/2	020122	\$90.00
9/16 x 1-1/2	020124	\$90.00
11/16 x 1-1/2	020126	\$90.00
13/16 x 1-1/2	020128	\$90.00
15/16 x 1-1/2	020130	\$90.00

15/32 x 1-17/32	020123	\$135.00
19/32 x 1-17/32	020125	\$135.00
23/32 x 1-17/32	020127	\$135.00
27/32 x 1-17/32	020129	\$135.00
31/32 x 1-17/32	020131	\$135.00

SCOTCHMAN INDUSTRIES #40 PUNCHES & #82 DIES

JANUARY 1, 2023 PRICE LIST

FIRST EDITION

*RETAIL PRICES ARE SUBJECT TO CHANGE WITHOUT NOTICE!

**ALL SHAPED PUNCHES ARE KEYED STANDARD
FOR SAFE & POSITIVE PUNCH ALIGNMENT.**

#40 SQUARE PUNCHES AND # 82 SQUARE DIES - STOCKING SIZES

PUNCH SIZE	PART #	RETAIL PRICE*
------------	--------	---------------

1/4	018089	\$47.00
9/32	018165	\$47.00
5/16	018091	\$47.00
11/32	018167	\$47.00
3/8	018099	\$47.00
13/32	018101	\$47.00
7/16	018119	\$47.00
15/32	018103	\$47.00
1/2	018105	\$47.00
17/32	018107	\$47.00
9/16	018109	\$47.00
19/32	018097	\$47.00
5/8	018122	\$47.00
21/32	018111	\$47.00
11/16	018093	\$47.00
23/32	018169	\$47.00
3/4	018113	\$47.00
25/32	018115	\$47.00
13/16	018095	\$47.00
27/32	018171	\$47.00
7/8	018117	\$47.00

DIE SIZE	PART #	RETAIL PRICE*
----------	--------	---------------

9/32	018090	\$85.00
5/16	018166	\$85.00
11/32	018092	\$85.00
3/8	018168	\$85.00
13/32	018100	\$85.00
7/16	018102	\$85.00
15/32	018150	\$85.00
1/2	018104	\$85.00
17/32	018106	\$85.00
9/16	018108	\$85.00
19/32	018110	\$85.00
5/8	018098	\$85.00
21/32	018123	\$85.00
11/16	018112	\$85.00
23/32	018094	\$90.00
3/4	018170	\$90.00
25/32	018114	\$100.00
13/16	018116	\$100.00
27/32	018096	\$100.00
7/8	018172	\$100.00
29/32	018118	\$100.00

#45 SQUARE PUNCHES AND # 86 SQUARE DIES - STOCKING SIZES

29/32	018173	\$110.00
15/16	018175	\$110.00
31/32	018177	\$110.00
1	018125	\$110.00
1-1/32	018220	\$110.00

15/16	018174	\$140.00
31/32	018176	\$140.00
1	018178	\$140.00
1-1/32	018126	\$140.00
1-1/16	018221	\$140.00

SCOTCHMAN INDUSTRIES #40 PUNCHES & #82 DIES

JANUARY 1, 2023 PRICE LIST

FIRST EDITION

*RETAIL PRICES ARE SUBJECT TO CHANGE WITHOUT NOTICE!

**ALL SHAPED PUNCHES ARE KEYED STANDARD
FOR SAFE & POSITIVE PUNCH ALIGNMENT.**

#40 CORNER TURNING PUNCH AND # 82 DIES - STOCKING SIZES

PUNCH SIZE	PART #	RETAIL PRICE*	DIE SIZE	PART #	RETAIL PRICE*
1/2	018200	(SOLD AS SET ONLY)	1/2	018201	\$180.00

#40 HEXAGON PUNCHES & #82 DIES - STOCKING SIZES

7/16	022042	\$62.00	15/32	022043	\$110.00
1/2	022046	\$62.00	17/32	022047	\$110.00
11/16	022058	\$62.00	23/32	022059	\$110.00
3/4	022062	\$62.00	25/32	022063	\$110.00

SPECIAL PUNCHES & DIES - NON-STOCKING SIZES

SPECIAL ROUNDS

RETAIL PRICE*		
PUNCH	DIE	SET

SIZES FROM

1/8" to 1-1/4" (#40 Punch, #82 Die)	\$70.00	\$70.00	\$140.00
1-9/32" to 1-9/16" (#45 Punch, #86 Die)	\$90.00	\$110.00	\$200.00
1-19/32" to 1-15/16" (Split Ring Punch, 3" OD Die)	\$150.00	\$170.00	\$320.00
1-31/32" to 2-7/16" (Split Ring Punch, 6 X 6 Die)	\$215.00	\$305.00	\$520.00
2-15/32" to 2-15/16" (Split Ring Punch, 6 X 6 Die)	\$235.00	\$305.00	\$540.00
2-31/32" to 3-15/32" (Split Ring Punch, 6 X 6 Die)	\$255.00	\$305.00	\$560.00
3-1/2" to 4" (Split Ring Punch, 6 X 6 Die)	\$375.00	\$305.00	\$680.00

SPECIAL ROUND ECCENTRIC DIES (#82 ONLY)

1/8" to 1" Diameter	\$95.00
---------------------	---------

SPECIAL HEXAGONS

SIZES FROM

5/16" to 1-1/16" (#40 Punch, #82 Die)	\$100.00	\$155.00	\$255.00
1-5/64" to 1-9/32" (#45 Punch, #86 Die)	\$145.00	\$180.00	\$325.00
1-19/64" to 1-23/32" (Split Ring Punch, 3" OD Die)	\$160.00	\$225.00	\$385.00
1-47/64" to 2-1/8" (Split Ring Punch, 6 X 6 Die)	\$185.00	\$325.00	\$510.00
2-9/64" to 2-9/16" (Split Ring Punch, 6 X 6 Die)	\$225.00	\$325.00	\$550.00
2-37/64" to 3" (Split Ring Punch, 6 X 6 Die)	\$265.00	\$325.00	\$590.00

SCOTCHMAN INDUSTRIES #40 PUNCHES & #82 DIES

JANUARY 1, 2023 PRICE LIST

FIRST EDITION

*RETAIL PRICES ARE SUBJECT TO CHANGE WITHOUT NOTICE!

**ALL SHAPED PUNCHES ARE KEYED STANDARD
FOR SAFE & POSITIVE PUNCH ALIGNMENT.**

SPECIAL OVALS

SIZES FROM

	RETAIL PRICE*		
	PUNCH	DIE	SET
1/4" to 1-1/4" (#40 Punch, #82 Die)	\$90.00	\$120.00	\$210.00
1-17/64" to 1-1/2" (#45 Punch, #86 Die)	\$120.00	\$150.00	\$270.00
1-33/64" to 1-9/16" (#45 Punch, #86 Die)	\$150.00	\$150.00	\$300.00
1-19/32" to 1-15/16" (Split Ring Punch, 3" OD Die)	\$150.00	\$175.00	\$325.00
1-61/64" to 2-1/32" (Split Ring Punch, 3" OD Die)	\$175.00	\$175.00	\$350.00
2-3/64" to 2-7/16" (Split Ring Punch, 6 X 6 Die)	\$175.00	\$290.00	\$465.00
2-29/64" to 2-15/16" (Split Ring Punch, 6 X 6 Die)	\$210.00	\$290.00	\$500.00
2-61/64" to 3-7/16" (Split Ring Punch, 6 X 6 Die)	\$320.00	\$290.00	\$610.00
3-29/64" to 4" (Split Ring Punch, 6 X 6 Die)	\$450.00	\$320.00	\$770.00

SPECIAL OVAL OFFSET DIES (#82 ONLY)

Must Specify Front To Back or Left To Right \$125.00

SPECIAL CORNER TURNING (1/4" IS THE MAXIMUM THICKNESS)

3/4" Radius (#45 Punch, #86 Die)	(SOLD AS SET ONLY!)	\$360.00
1" Radius (Split Ring Punch, 3" OD Die)	(SOLD AS SET ONLY!)	\$465.00
1-1/4" Radius (Split Ring Punch, 6 X 6 Die)	(SOLD AS SET ONLY!)	\$620.00
1-1/2" Radius (Split Ring Punch, 6 X 6 Die)	(SOLD AS SET ONLY!)	\$635.00
1-3/4" Radius (Split Ring Punch, 6 X 6 Die)	(SOLD AS SET ONLY!)	\$755.00
2" Radius (Split Ring Punch, 6 X 6 Die)	(SOLD AS SET ONLY!)	\$910.00

(OTHER SIZES AVAILABLE, PLEASE CALL FOR PRICING!)

SPECIAL TRIM & CUTOFF (1/4" IS THE MAXIMUM THICKNESS)

1/2" - Radius 9/32" (#40 Punch, #82 Die)	\$150.00	\$140.00	\$290.00
3/4" - Radius 7/16" (#45 Punch, #86 Die)	\$200.00	\$175.00	\$375.00
1" - Radius 9/16" (Split Ring Punch, #86 Die)	\$310.00	\$175.00	\$485.00
1-1/4" - Radius 3/4" (Split Ring Punch, 3" OD Die)	\$315.00	\$225.00	\$540.00
1-1/2" - Radius 7/8" (Split Ring Punch, 6 X 6 Die)	\$410.00	\$315.00	\$725.00
2" - Radius 1-1/8" (Split Ring Punch, 6 X 6 Die)	\$540.00	\$360.00	\$900.00

(OTHER SIZES AVAILABLE, PLEASE CALL FOR PRICING!)

SCOTCHMAN INDUSTRIES #40 PUNCHES & #82 DIES

JANUARY 1, 2023 PRICE LIST

FIRST EDITION

*RETAIL PRICES ARE SUBJECT TO CHANGE WITHOUT NOTICE!

**ALL SHAPED PUNCHES ARE KEYED STANDARD
FOR SAFE & POSITIVE PUNCH ALIGNMENT.**

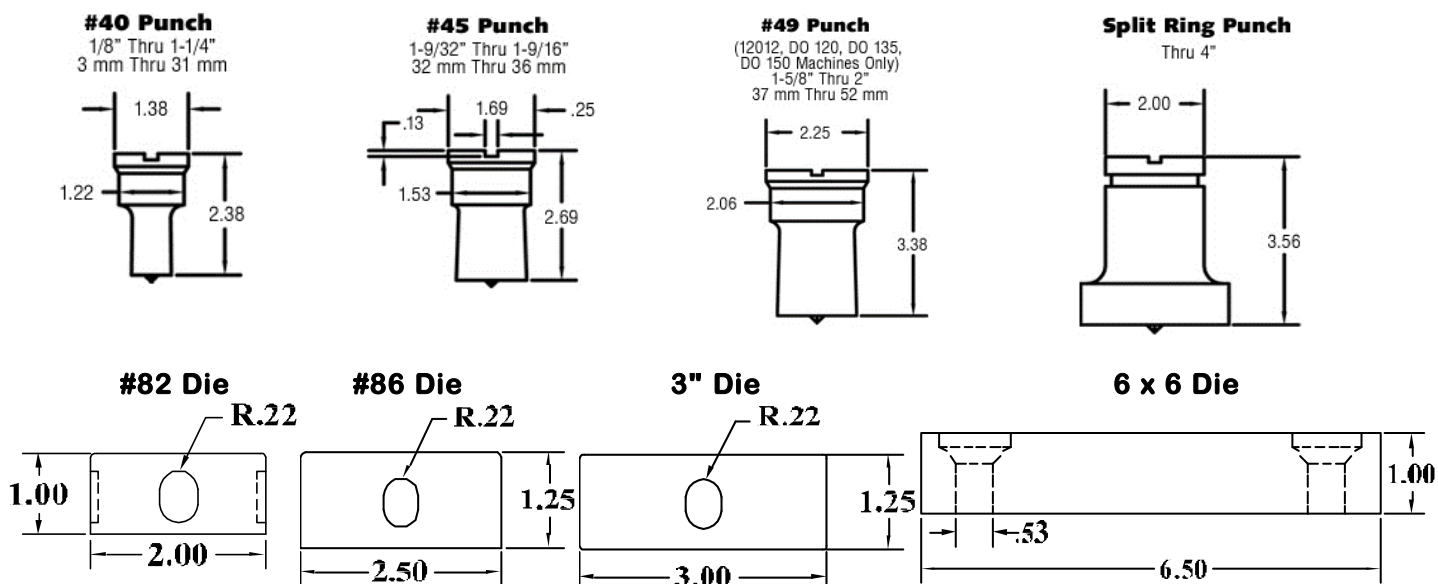
SPECIAL SQUARES & RECTANGLES - NON-STOCKING SIZES (1/4" IS THE SMALLEST)

SIZES FROM MAXIMUM DIAGONAL	RETAIL PRICE*		
	PUNCH	DIE	SET
1-1/4" (#40 Punch, #82 Die)	\$75.00	\$95.00	\$170.00
1-7/16" (#45 Punch, #82 Die)	\$125.00	\$95.00	\$220.00
1-9/16" (#45 Punch, #86 Die)	\$125.00	\$150.00	\$275.00
1-3/4" (Split Ring Punch, #86 Die)	\$160.00	\$150.00	\$310.00
2" (Split Ring Punch, 3" OD Die)	\$160.00	\$210.00	\$370.00
2-1/2" (Split Ring Punch, 6 X 6 Die)	\$175.00	\$345.00	\$520.00
3" (Split Ring Punch, 6 X 6 Die)	\$210.00	\$345.00	\$555.00
3-1/2" (Split Ring Punch, 6 X 6 Die)	\$290.00	\$345.00	\$635.00
4" (Split Ring Punch, 6 X 6 Die)	\$420.00	\$365.00	\$785.00

SPECIAL PUNCH & DIE OPTIONS (FOR SPECIALS ONLY)

Chisel Points Up To 1-1/2"	ADD	\$95.00
Chisel Points 1-33/64" & Up	ADD	\$95.00
Bevel Offset Die (Saw Tooth)	ADD	\$275.00

PUNCH & DIE DIMENSIONS



OVER THE YEARS, SCOTCHMAN INDUSTRIES HAS DESIGNED AND MANUFACTURED THOUSANDS OF SPECIAL SIZES AND SHAPES OF PUNCHES AND DIES.

SHOW BELOW ARE ONLY A FEW OF THE SHAPES, TO GIVE YOU AN IDEA OF WHAT IS AVAILABLE.

IF YOU HAVE AN APPLICATION THAT REQUIRES PUNCHING, FORMING, NOTCHING OR BENDING OF A SPECIAL PART, GIVE US A CALL AT

(800) 843-8844 OR FAX US YOUR DRAWING AT (800) 843-5545.

